

Window Flashing A Guide to Installation

Method "A1" Self-Adhesive Flashing

The "Method A1" installation guide is designed for integral flanged window applications, where the window is installed after the weather resistive barrier is applied. Compliance with the building code and proper installation are critical in reducing potential water leakage points.

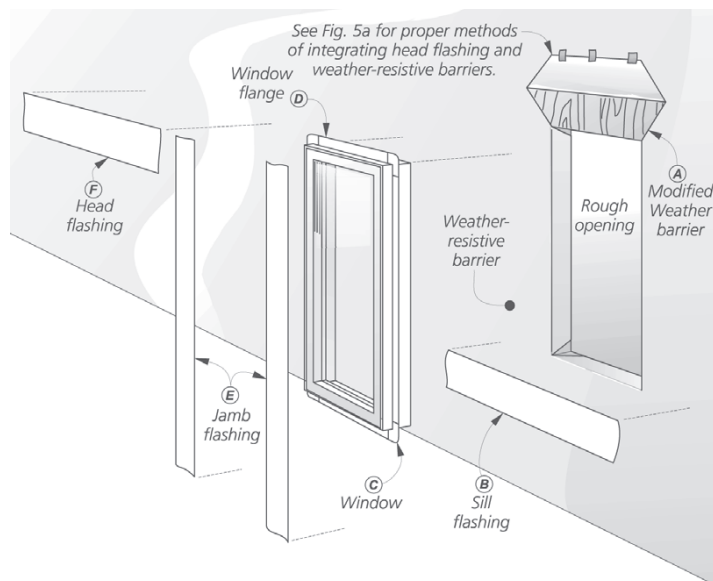
Under adverse weather conditions, consideration should be given to preparing the substrate for best adhesion. For some substrates, a primer may be required.

The following HomeGuard by Ox products are acceptable for this method:

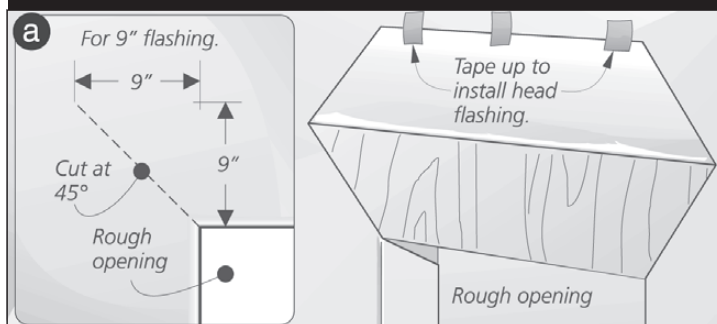
Arctic Flash® Synthetic Flashing 4, 6, 9" x 75' rolls
Titan® Butyl Flashing 4, 6, 9" x 75' rolls
Flexible Butyl Flashing 6, 9, 12" x 75' rolls
RA Plus Flashing 4, 6, 9, 12, and 18" x 75' rolls.
HomeGuard Polymer Sealant (Meets AAMA Standards)

*** Asphalt flashing products including RA Plus Flashing should not be used with Titan Drainage Wrap**

We recommend using a 4"x3" squeegee or J-Roller when applying the Flashing Tape for best adhesion to the HomeGuard Housewrap or Titan Drainage Wrap



1 MODIFY WEATHER-RESISTIVE BARRIER



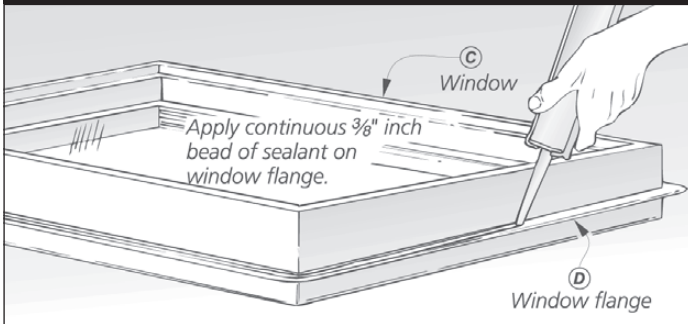
Make the following diagonal cuts at the top of the rough opening corners. Example: for 9" flashing measure as follows: 9" up and 9" over, making a 45° angle (1a). Cut on the diagonal from marked point to the rough opening corner. Gently raise the top edge of the weather-resistive barrier and tape the corners and the center to the barrier surface above. This will allow for the installation of the window and the jamb and head flashing later.

2 SILL FLASHING



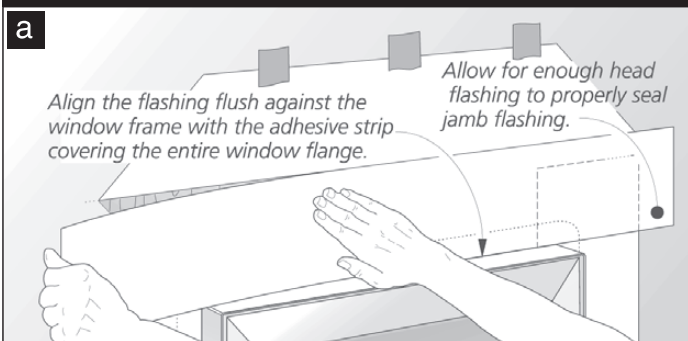
Cut the sill flashing to the width of the rough opening plus twice the flashing width. Wipe the surface of the weather-resistive barrier with a clean rag to ensure proper adhesion. Remove the release paper and press the sill flashing in place so that the edge of the flashing's adhesive is level with the top edge of the rough opening.

3 WINDOW INSTALLATION

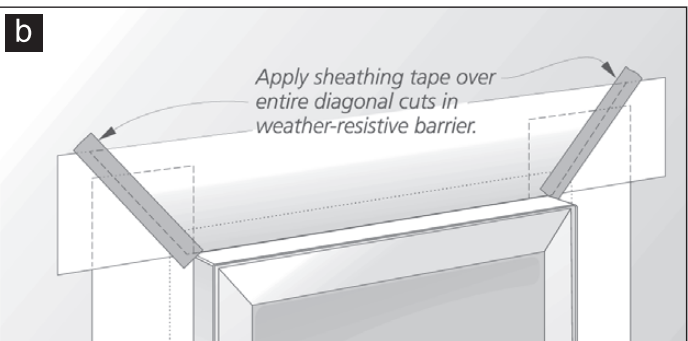


Before installing the window, apply a continuous 3/8" bead of Polymer Sealant to the backside (interior) of the mounting flange. Install the window according to the window manufacturer's instructions.

5 HEAD FLASHING

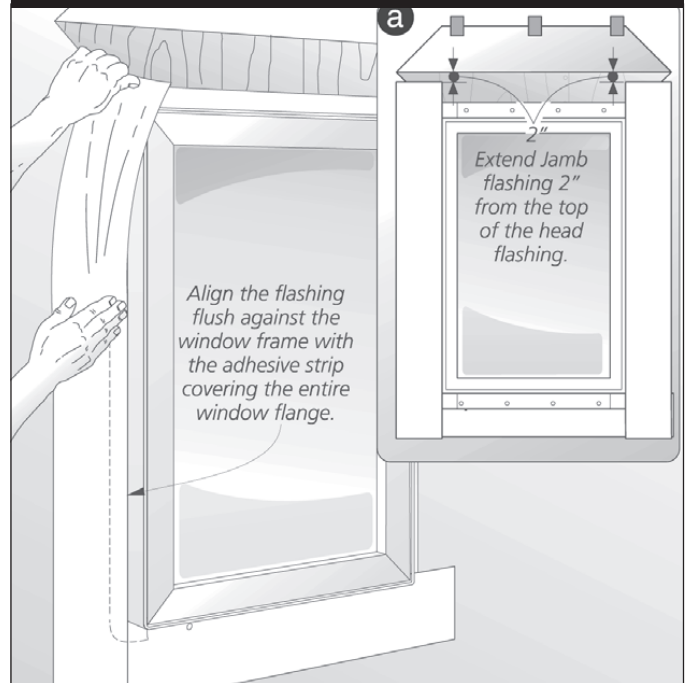


Wipe the head flange, jamb flashing, weather-resistive barrier, and sheathing with a clean rag. Cut a piece of flashing long enough to ensure that the head flashing extends a minimum 1" beyond the jamb flashing. Install the head flashing by pressing firmly in place in one direction to prevent voids.



Finally, allow the flap of the weather-resistive barrier at the head to lay flat over the head flashing. Apply a new piece of sheathing tape over the entire diagonal cut made in the weather-resistive barrier and press firmly in place.

4 JAMB FLASHING



Prior to installing the jamb flashing wipe the jamb flange and weather-resistive barrier with a clean rag to ensure proper adhesion. Then cut two strips of flashing long enough to extend beyond the sill flashing and 2" below the top of the head flashing. Remove the release paper and align the flashing flush against the window frame with the adhesive strip covering the entire window flange. Follow this procedure for the other side of the window.

We recommend using a 4"x3" squeegee or J-Roller when applying the Flashing Tape for best adhesion to the HomeGuard Housewrap or Titan Drainage Wrap.

OVERVIEW

This recommendation refers to the most commonly used types of windows (surface mounted) For other types of frames, special attention should be paid to the window manufacturer's instructions. HomeGuard recommends the use of a well-integrated weather-resistive barrier with all its flashing systems.

