

Window Flashing A Guide to Installation

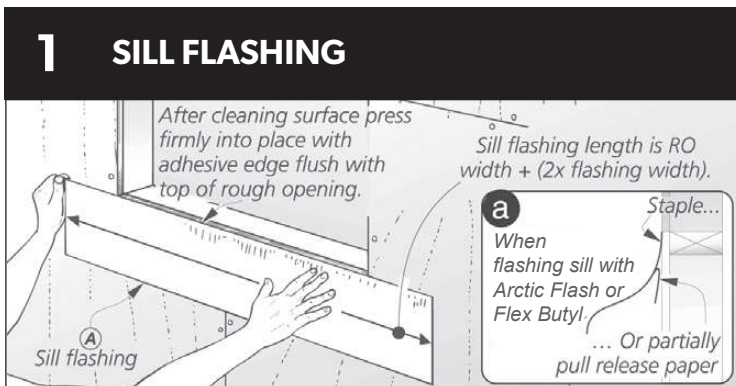
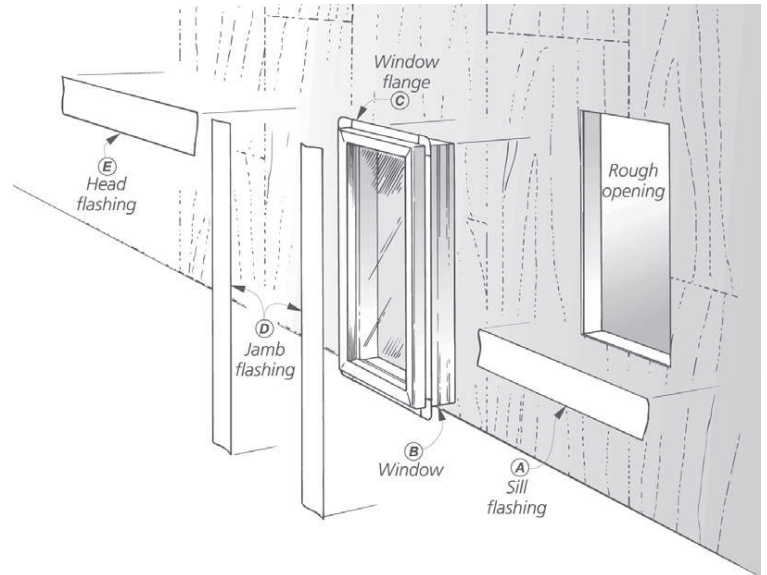
Method "A" Self-Adhesive Flashing

The "Method A" installation guide is designed for integral flanged window applications, where the window is installed before the weather resistive barrier is applied. Compliance with the building code and proper installation are critical in reducing potential water leakage points.

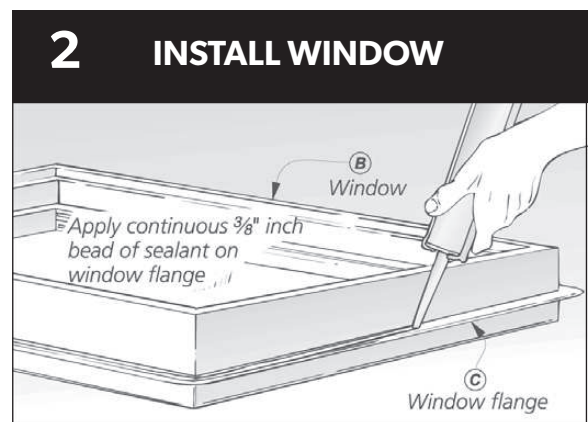
Under adverse weather conditions, consideration should be given to preparing the substrate for best adhesion. For some substrates, a primer may be required.

The following HomeGuard Flexible window flashing products are acceptable for this method:
The following HomeGuard by Ox products are acceptable for this method:

- Arctic Flash® Synthetic Flashing 4, 6, 9" x 75' rolls
- Titan® Butyl Flashing 4, 6, 9" x 75' rolls
- Flexible Butyl Flashing 6, 9, 12" x 75' rolls
- RA Plus Flashing 4, 6, 9, 12, and 18" x 75' rolls.
- HomeGuard Ploymer Sealant (Meets AAMA Standards)

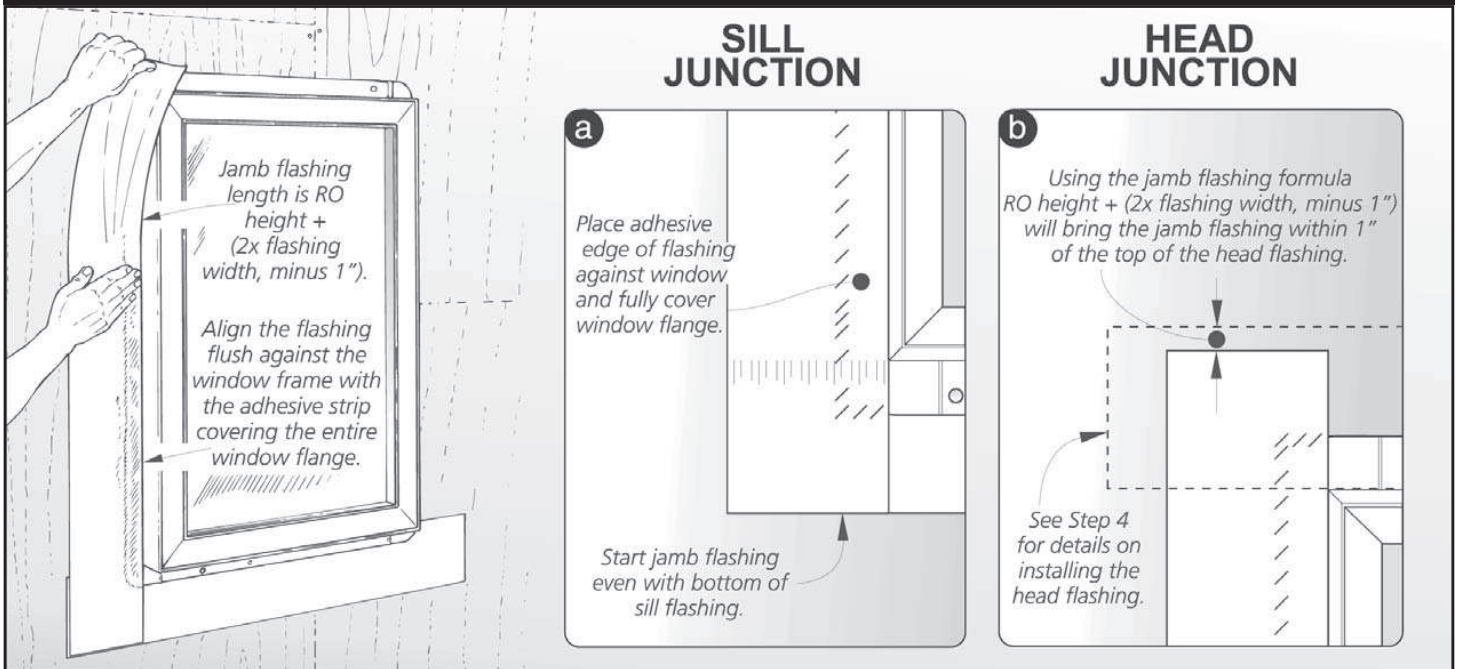


Cut the sill flashing the width of the rough opening + 2x the width of the flashing. Wipe the exterior sheathing or wall with a clean rag to ensure proper adhesion. Remove the release paper and press the sill flashing in place so that the top edge of the rough opening. Once pressed in place, use a "J" roller (or wallpaper seaming tool) to seal the flashing to the sheathing. Note: when using Arctic Flash or Flex Butyl partially remove the release paper or staple to allow for integration with weather-resistive barrier (1a). Once the weather barrier has been tucked under the sill flashing, remove the remaining release paper and press firmly in place.



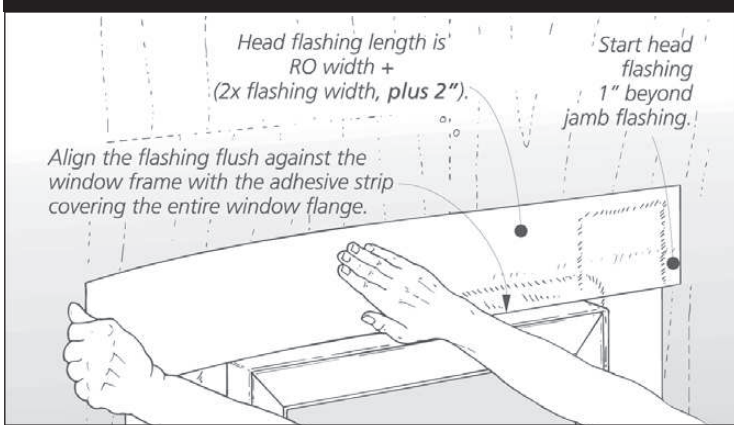
Before installing the window, apply a continuous 3/8" bead of HomeGuard Polymer Sealant to the back side (interior) of the mounting flange. Install the window according to the window manufacturer's instructions.

3 JAMB FLASHING



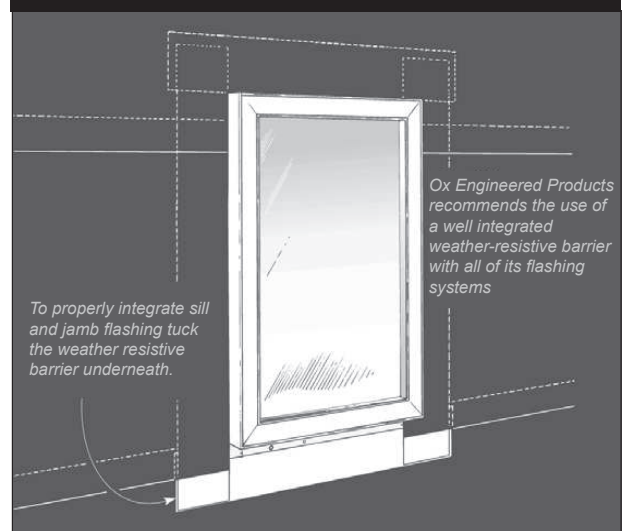
Prior to installing the jamb flashing, wipe the window jamb flange and exterior walls with a clean rag to ensure proper adhesion. Cut the jamb flashing to the height of the rough opening + 2x the width of the flashing, minus 1" (see 3a and 3b). Remove the release paper and place the jamb flashing against the window flange and firmly press into place in a single direction to prevent voids. Once pressed in place, use a "J" roller (or wallpaper tool) to seal the flashing to the window flange. Repeat this procedure for the other side of the window.

4 HEAD FLASHING



Wipe the head flange, jamb flashing and sheathing with a clean rag. Cut the head flashing to twice the width of the rough opening + 2x the width of the flashing plus 2". Install the head flashing by pressing firmly in place in one direction to prevent voids.

OVERVIEW



This recommendation refers to the most common types of windows used (surface mounted). For other types of frames, special attention should be paid to the window manufacturer's instructions.