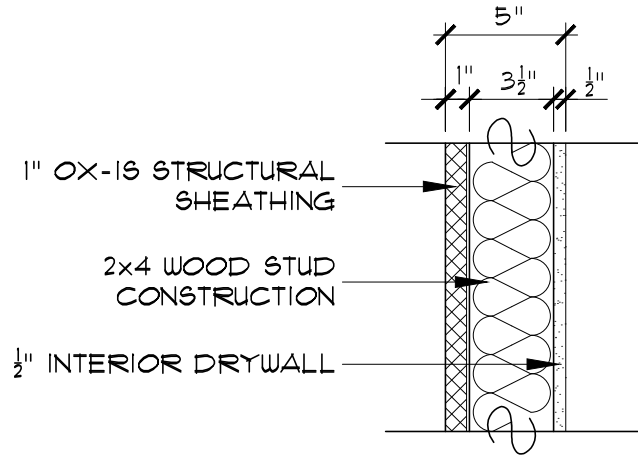


1 **1" OX-IS WALL THICKNESS (2X6)**
 113 SCALE 1 1/2" = 1'-0"



2 **1" OX-IS WALL THICKNESS (2X4)**
 113 SCALE 1 1/2" = 1'-0"

Date: 08/17/2020

Drawing No.:



OX ENGINEERED PRODUCTS
STANDARD WALL THICKNESSES
 1" OX-IS

113

Sheet 1 of 1