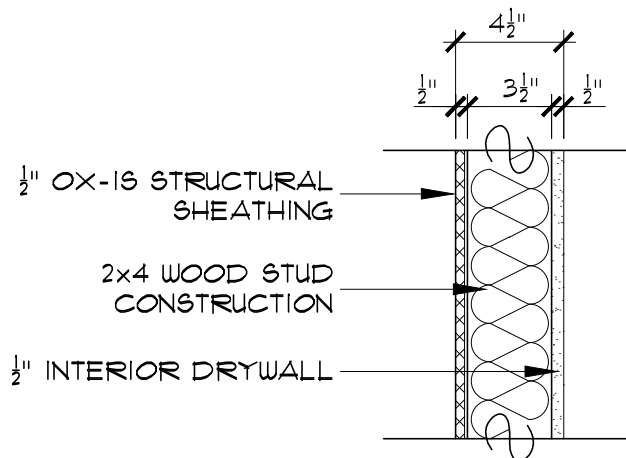


1
114 **$\frac{1}{2}''$ OX-IS WALL THICKNESS (2X6)**
 SCALE $1\frac{1}{2}'' = 1'-0''$



2
114 **$\frac{1}{2}''$ OX-IS WALL THICKNESS (2X4)**
 SCALE $1\frac{1}{2}'' = 1'-0''$

Date: 08/17/2020

Drawing No.:



OX ENGINEERED PRODUCTS
STANDARD WALL THICKNESSES
 $\frac{1}{2}''$ OX-IS

114

Sheet 1 of 1